

# JNMM144-405~410

## High efficiency mono solar module

### JNMM144

All cell production line equipped with SE laser instrument.

Advanced process to reduce extra degradation of PERC cell.

MBB and half-cut design to improve module reliability and reduces loss.

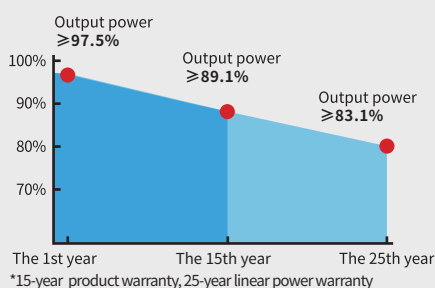
Higher power output effectively reduces BOS and LCOE.

### CERTIFICATION



TUV: IEC/EN 61215, IEC/EN 61730  
 GB/T 19001-2016/ ISO 9001:2015  
 GB/T 24001-2016/ ISO 14001:2015  
 OHSAS 18001:2007  
 CNAS-CL01:ISO/IEC 17025:2017

### QUALITY ASSURANCE



#### Advanced production process

Optimized MBB design  
 Cell efficiency >22.8%



#### Superior quality control

Full automatic production line  
 MES and ERP digitizing logistics management  
 100% three times EL and appearance inspection



#### Excellent power generation performance

0~+5W positive power tolerance  
 Improved low light irradiance performance and low degradation



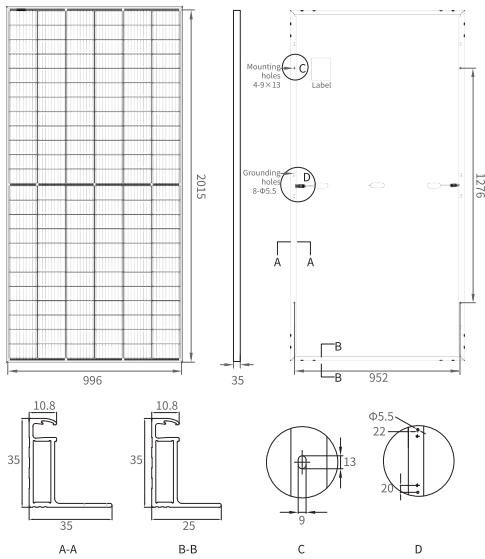
#### Stable mechanical performance

Passed rigorous hail test  
 Withstands 5400Pa snow and 2400Pa wind loads



**JINNENG CLEAN ENERGY TECHNOLOGY LTD**  
**JINNENG PHOTOVOLTAIC TECHNOLOGY LTD**

No.1 Wenshui Economic Development Zone, Lvliang, Shanxi 032100, China  
 No. 533, East Guang'an Street, Yuci District, Jinzhong, Shanxi 030600, China  
 Tel: +86(354)2037999 E-mail: sales@jinergy.com



**MECHANICAL PARAMETERS**

Cell (mm)	158.75*79.375 Mono
Dimensions (L*W*H) (mm)	2008*1002*35/40 2015*996*35/40
Weight (kg)	22.1/22.4 22.1/22.4
Cable Cross Section Size (mm <sup>2</sup> )	4
Cable Length (mm)	Positive 295 / Negative 145
No. of Cells & Connections	144(6*24)
No. of Diodes	3
Type of Connector	PV-JN01/PV-KST4-EVO 2/xy_UR,PV-KBT4-EVO2/xy_UR

**QUALIFICATION**

Max. System Voltage (V DC)	1500
Temperature Cycling Range (°C)	-40~+85
Max. Series Fuse Rating (A)	20
Max. Wind Load / Max. Snow Load (Pa)	2400 / 5400
Hot Spot Rate	100% Free
Fire Rating	Class C
Junction Box & Connector Protection Grad	IP68

**TEMPERATURE COEFFICIENTS**

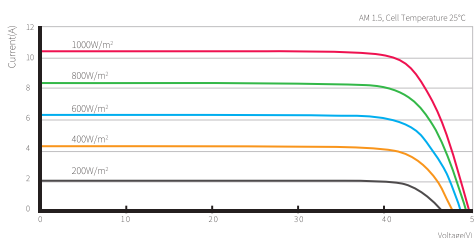
Nominal Module Operating Temperature (NMOT)	43±2°C
Temperature Coefficient Voltage (Voc)	-0.29 %/°C
Temperature Coefficient Current (Isc)	0.04 %/°C
Temperature Coefficient Power (Pm)	-0.37 %/°C

**ELECTRICAL PARAMETERS**

Module Type	JNMM144-405	JNMM144-410	
<b>STC</b> AM1.5 1000W/m <sup>2</sup> Cell Temperature 25°C	Max. Power at STC (Pmpp/W)	405	410
	Output Tolerance (W)	0~+5	0~+5
	Max. Power Voltage (Vmp/V)	40.53	40.75
	Max. Power Current (Imp/A)	10.00	10.07
	Open Circuit Voltage (Voc/V)	49.84	50.00
	Short Circuit Current (Isc/A)	10.42	10.48
	Module Efficiency (%)	20.2	20.4
<b>NMOT</b> AM1.5 800W/m <sup>2</sup> Ambient Temperature 20°C Wind Speed 1m/s	Max. Power at NMOT (Pmpp/W)	304.8	308.6
	Max. Power Voltage (Vmp/V)	38.10	38.30
	Max. Power Current (Imp/A)	8.00	8.06
	Open Circuit Voltage (Voc/V)	47.05	47.20
	Short Circuit Current (Isc/A)	8.39	8.44

\* Measurement tolerance: Pmax:±3%, Voc:±3%, Isc:±5%.

**I-V CURVE(410W)**



**PACKING CONFIGURATION**

<b>Container (High cube)</b>	
Pieces Per Pallet	31/27/31/27
Pallets Per Stack	2
Extra Pieces Per Stack	4
Stacks Per Container	11
Pieces Per Container	726/638/726/638