

JNMM144-405~410L

High efficiency mono solar module

JNMM144

All cell production line equipped with SE laser instrument.

Advanced process to reduce extra degradation of PERC cell.

MBB and half-cut design to improve module reliability and reduces loss.

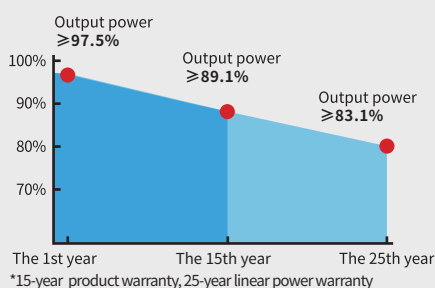
Higher power output effectively reduces BOS and LCOE.

CERTIFICATION



TUV: IEC/EN 61215, IEC/EN 61730
 GB/T 19001-2016/ ISO 9001:2015
 GB/T 24001-2016/ ISO 14001:2015
 OHSAS 18001:2007
 CNAS-CL01:ISO/IEC 17025:2017

QUALITY ASSURANCE



Advanced production process

Optimized MBB design
 Cell efficiency >22.8%



Superior quality control

Full automatic production line
 MES and ERP digitizing logistics management
 100% three times EL and appearance inspection



Excellent power generation performance

0~+5W positive power tolerance
 Improved low light irradiance performance and low degradation



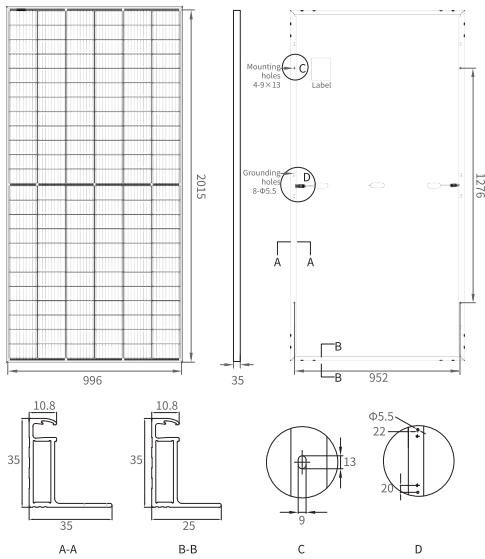
Stable mechanical performance

Passed rigorous hail test
 Withstands 5400Pa snow and 2400Pa wind loads



JINNENG CLEAN ENERGY TECHNOLOGY LTD
JINNENG PHOTOVOLTAIC TECHNOLOGY LTD

No.1 Wenshui Economic Development Zone, Lvliang, Shanxi 032100, China
 No. 533, East Guang'an Street, Yuci District, Jinzhong, Shanxi 030600, China
 Tel: +86(354)2037999 E-mail: sales@jinergy.com



MECHANICAL PARAMETERS

Cell (mm)	158.75*79.375 Mono
Dimensions (L*W*H) (mm)	2008*1002*35/40 2015*996*35/40
Weight (kg)	22.1/22.4 22.1/22.4
Cable Cross Section Size (mm ²)	4
Cable Length (mm)	Positive 295 / Negative 145
No. of Cells & Connections	144(6*24)
No. of Diodes	3
Type of Connector	PV-KST4/xy-UR, PV-KBT4/xy-UR PV-JN01/PV-KST4-EVO 2/xy_UR, PV-KBT4-EVO2/xy_UR

QUALIFICATION

Max. System Voltage (V DC)	1000
Temperature Cycling Range (°C)	-40~+85
Max. Series Fuse Rating (A)	20
Max. Wind Load / Max. Snow Load (Pa)	2400 / 5400
Hot Spot Rate	100% Free
Fire Rating	Class C
Junction Box & Connector Protection Grad	IP68

TEMPERATURE COEFFICIENTS

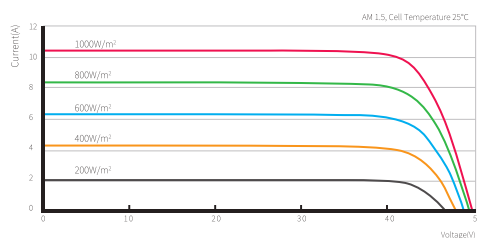
Nominal Module Operating Temperature (NMOT)	43±2°C
Temperature Coefficient Voltage (Voc)	-0.29 %/°C
Temperature Coefficient Current (Isc)	0.04 %/°C
Temperature Coefficient Power (Pm)	-0.37 %/°C

ELECTRICAL PARAMETERS

Module Type		JNMM144-405L	JNMM144-410L
STC AM1.5 1000W/m ² Cell Temperature 25°C	Max. Power at STC (Pmpp/W)	405	410
	Output Tolerance (W)	0~+5	0~+5
	Max. Power Voltage (Vmp/V)	40.53	40.75
	Max. Power Current (Imp/A)	10.00	10.07
	Open Circuit Voltage (Voc/V)	49.84	50.00
	Short Circuit Current (Isc/A)	10.42	10.48
	Module Efficiency (%)	20.2	20.4
NMOT AM1.5 800W/m ² Ambient Temperature 20°C Wind Speed 1m/s	Max. Power at NMOT (Pmpp/W)	304.8	308.6
	Max. Power Voltage (Vmp/V)	38.10	38.30
	Max. Power Current (Imp/A)	8.00	8.06
	Open Circuit Voltage (Voc/V)	47.05	47.20
	Short Circuit Current (Isc/A)	8.39	8.44

* Measurement tolerance: Pmax:±3%, Voc:±3%, Isc:±5%.

I-V CURVE(410W)



PACKING CONFIGURATION

Container (High cube)	
Pieces Per Pallet	31/27/31/27
Pallets Per Stack	2
Extra Pieces Per Stack	4
Stacks Per Container	11
Pieces Per Container	726/638/726/638